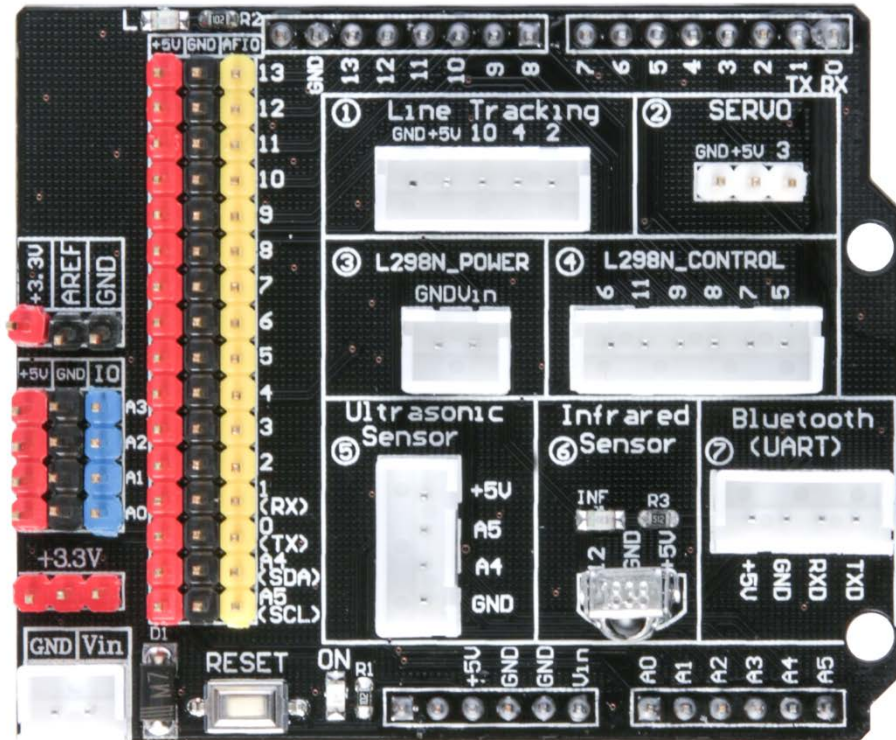


Elegoo Smart Car Shield V3.0

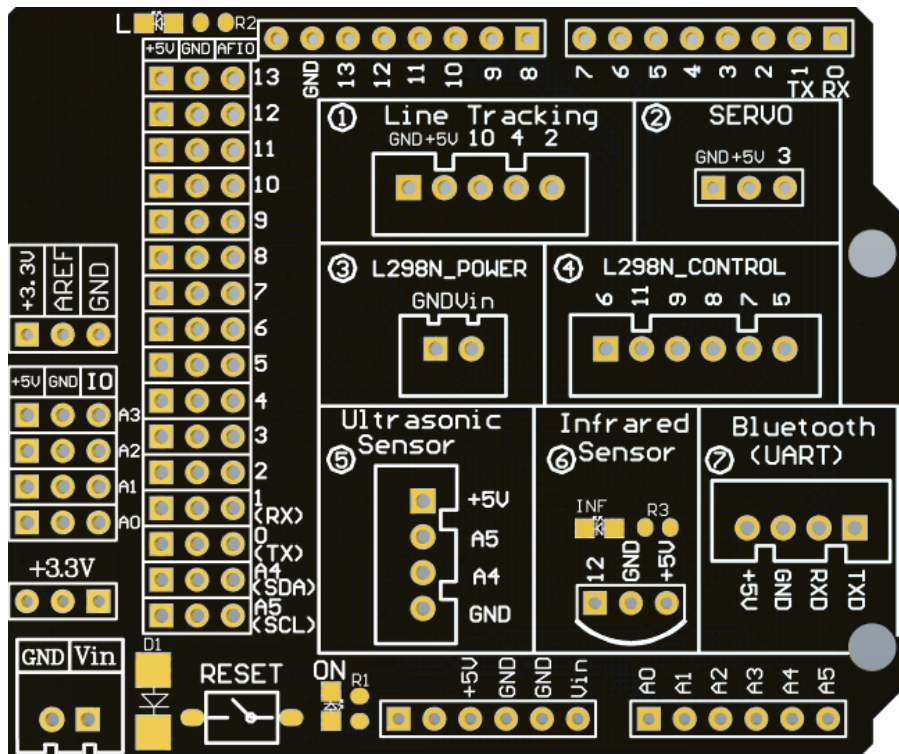


Overview

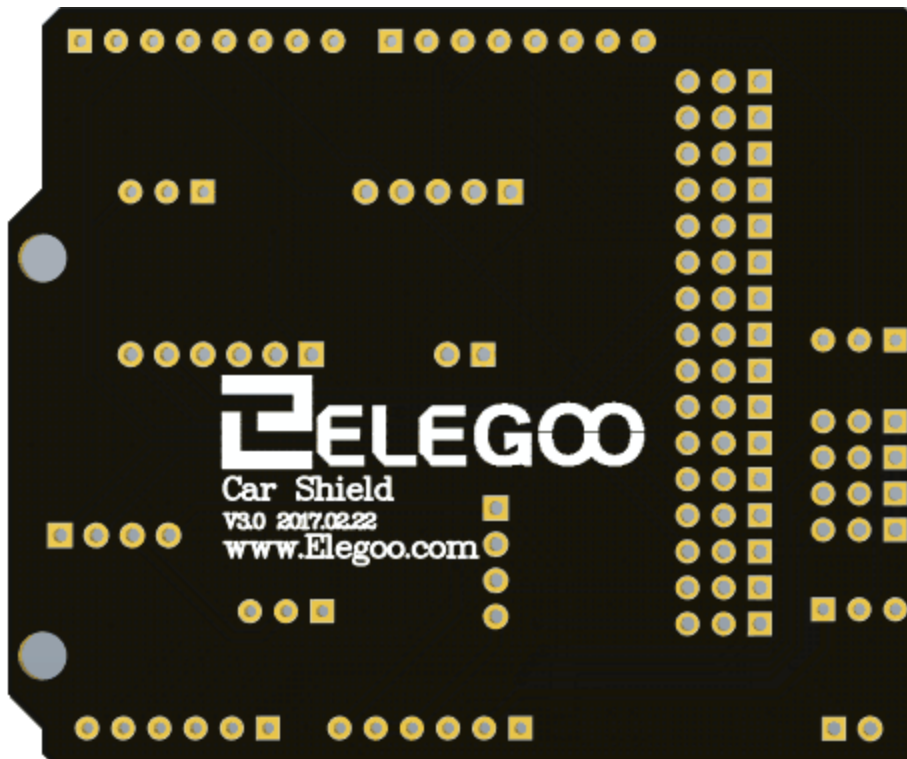
The Elegoo Smart Car Shield make it easy for user to assembly the Robot Car circuits. It could also be used as an Arduino UNO expansion board, which has took all the UNO pins out and match them with 5V and GND. It can be installed on any Arduino R3 model.

PCB Layout

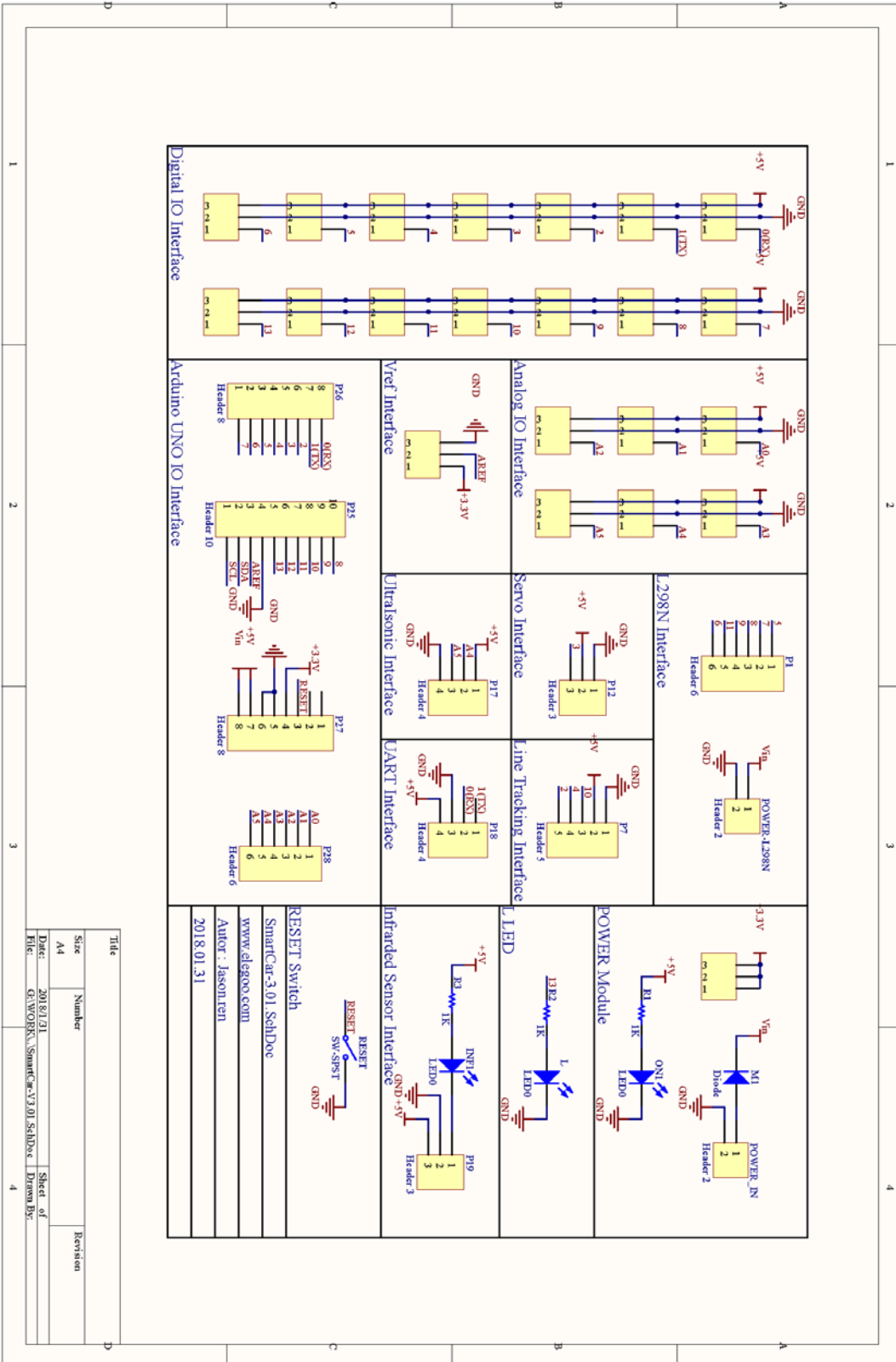
Top layer:



Bottom layer



Schematic Diagram



Title			
Size	Number	Revision	
A4			
Date:	2018.01.31	Sheet of	
File:	G:\WORK\SmartCar-V3.01\SchDoc	Diagram.05	
Author: Jason Ren			
2018.01.31			